

Americas

147 Central Avenue
 Hackensack, NJ 07601
 (201) 489-8989
www.cml-it.com

Europe

Robert Bunsen Str. 1
 D-67098 Bad Durkheim
 +49 (6322) 9567-0
www.cml-it.com

CMDA43xx15D13L Series on Star PCB
CMDA44xx15D13L Series on Square PCB
Power LED (1watt)
Technical Datasheet



CMDA43 and CMDA44 Power series is designed for high current operation and high flux output applications. Its thermal management characteristic are better than other LED solutions due to the SMD package design and good thermal emission material.

With these design advantages, it enables the Power LED to be applied in various lighting applications and design solution, automotive, architectural lighting, and large size LCD backlight etc.

Features

- Super high Flux output and high Luminance
- Designed for high current operation
- Low thermal resistance
- SMT solderability
- Lead Free product
- RoHS compliant

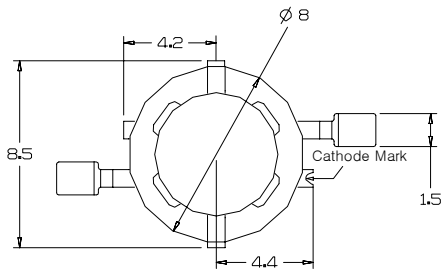
Application

- Mobile phone flash
- Automotive interior / exterior lighting
- Automotive signal lighting
- Automotive forward lighting
- General Lighting (Torch)
- Architectural lighting
- LCD TV / Monitor Backlight
- Projector light source
- Traffic Signals
- Task lighting
- Decorative / Pathway lighting
- Remote / Solar powered lighting
- Household appliances

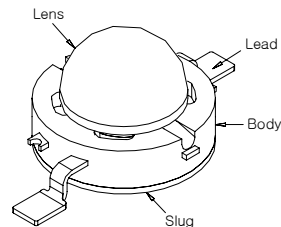
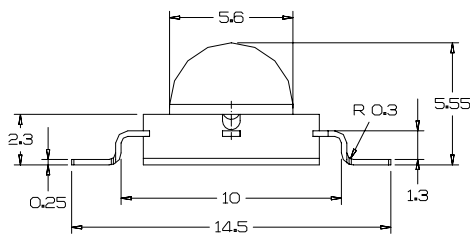
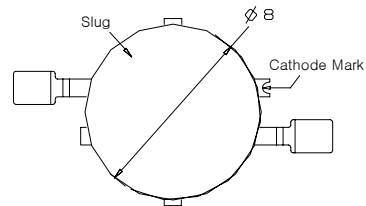
1. Outline Dimensions

Dome Type

TOP VIEW



BOTTOM VIEW



Notes :

1. All dimensions are in millimeters.
2. Scale : none
3. This drawing without tolerances are for reference only
4. Slug of package is connected to anode.

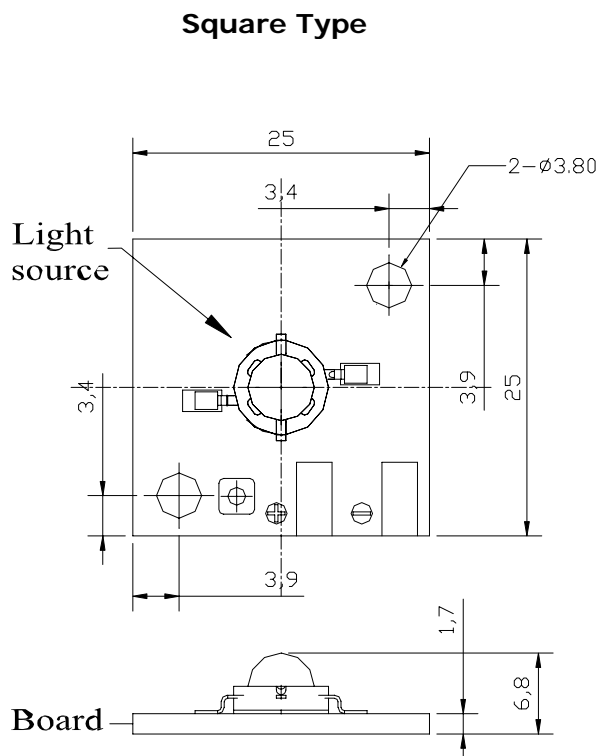


Americas
 147 Central Avenue
 Hackensack, NJ 07601
 (201) 489-8989
www.cml-it.com

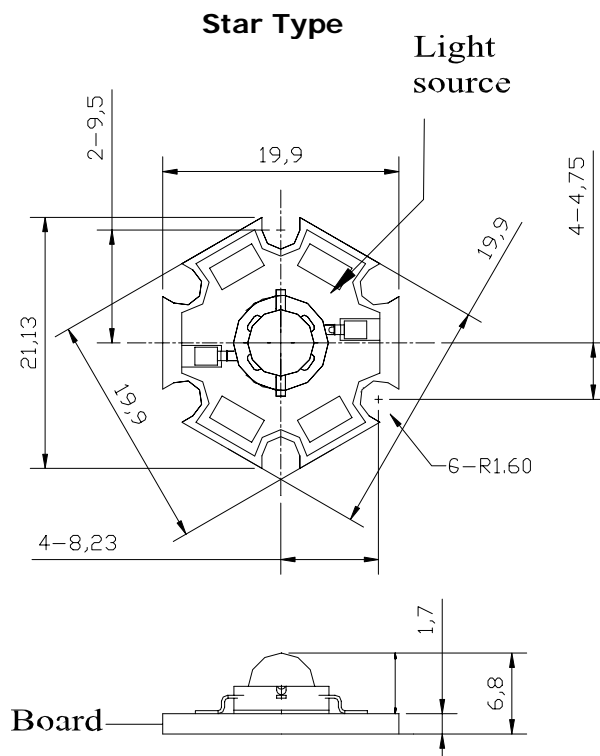
Europe
 Robert Bunsen Str. 1
 D-67098 Bad Dürkheim
 +49 (6322) 9567-0
www.cml-it.com

www.DataSheet4U.com

2. Metal PCB Outline Dimensions



CMDA44xx15D13L
Square Configuration



CMDA43xx15D13L
Star Configuration

Notes :

1. All dimensions are in millimeters.
2. Scale : none
3. This drawing without tolerances are for reference only



Americas
147 Central Avenue
Hackensack, NJ 07601
(201) 489-8989
www.cml-it.com

Europe
Robert Bunsen Str. 1
D-67098 Bad Durkheim
+49 (6322) 9567-0
www.cml-it.com

Americas

147 Central Avenue
 Hackensack, NJ 07601
 (201) 489-8989
www.cml-it.com

Europe

Robert Bunsen Str. 1
 D-67098 Bad Durkheim
 +49 (6322) 9567-0
www.cml-it.com

3. Electro-Optical Characteristics (at IF=350mA, TA=25°C)**CMDA43xx15D13L Star PCB series**

P/N	Description	Luminous Flux Min./Typ. (lm)	Correlated Color Temperature (Kelvin)	CRI	Dominant Wavelength (nm) Min./Typ./Max.	Forward Voltage (volts) Min./Typ./Max.	View Angle (degrees)	Thermal resistance (°C /W)
	Symbol	ΦV [1]	CCT [3]	Ra	λD	V	2θ 1/2	Rθ [4]
CMDA43CW15D13L	Pure White	32 / 52	6500	76		3.0 / 3.4 / 4.3	120	16
CMDA43WW15D13L	Warm White	24 / 35	3000	76		3.0 / 3.4 / 4.3	120	16
CMDA43CB15D13L	Blue	6 / 11			455 / 460 / 475	3.0 / 3.4 / 4.3	130	16
CMDA43AG15D13L	Green	24 / 48			520 / 527 / 535	3.0 / 3.4 / 4.3	130	16
CMDA43AR15D13L	Red	24 / 30			620 / 625 / 630	2.0 / 2.5 / 3.0	128	19
CMDA43GB15D13L	Cyan	24 / 40			500 / 505 / 510	3.0 / 3.4 / 4.3	130	16
CMDA43DY15D13L	Amber	24 / 38			585 / 590 / 595	2.0 / 2.5 / 3.0	128	19

4. Absolute Maximum Ratings (at TA=25°C)

P/N	Description	Forward Current (A)	Power Dissipation (Watts)	Junction Temperature (°C)	Operating Temperature (°C)	Storage Temperature (°C)
	Symbol	IF	PD	Tj	Topr	Tstg
CMDA43CW15D13L	Pure White	0.4	1.6	125	-30~+85	-40~+120
CMDA43WW15D13L	Warm White	0.4	1.6	125	-30~+85	-40~+120
CMDA43CB15D13L	Blue	0.4	1.6	125	-30~+85	-40~+120
CMDA43AG15D13L	Green	0.4	1.6	125	-30~+85	-40~+120
CMDA43AR15D13L	Red	0.4	1.2	100	-30~+85	-40~+120
CMDA43GB15D13L	Cyan	0.4	1.6	125	-30~+85	-40~+120
CMDA43DY15D13L	Amber	0.4	1.2	100	-30~+85	-40~+120

***Notes:**

- [1] ΦV is the total luminous flux output as measured with an integrating sphere.
 [2] Zener diode chip included to protect the LED from ESD.
 [3] Rθ is measured with a metal core PCB (25 °C ≤ Tj ≤ 125 °C).
 [4] CML maintains a tolerance of ± 10% on flux and power measurements.
 [5] CCT ± 5% tester tolerance.
 [6] Color Coordinate Measurement allowance is ± 0.005
 [7] A tolerance of ± 0.006V on forward voltage measurements

-----Caution-----

Please do not drive at rated current more than 5 sec. without proper heat sink

Americas

147 Central Avenue
 Hackensack, NJ 07601
 (201) 489-8989
www.cml-it.com

Europe

Robert Bunsen Str. 1
 D-67098 Bad Durkheim
 +49 (6322) 9567-0
www.cml-it.com

5. Electro-Optical Characteristics (at IF=350mA, TA=25°C)**CMDA44xx15D13L Square PCB series**

P/N	Description	Luminous Flux Min./Typ. (lm)	Correlated Color Temperature (Kelvin)	CRI	Dominant Wavelength (nm) Min./Typ./Max.	Forward Voltage (volts) Min./Typ./Max.	View Angle (degrees)	Thermal resistance (°C /W)
	Symbol	ΦV [1]	CCT [3]	Ra	λD	V	2θ 1/2	Rθ [4]
CMDA44CW15D13L	Pure White	32 / 52	6500	76		3.0 / 3.4 / 4.3	120	16
CMDA44WW15D13L	Warm White	24 / 35	3000	76		3.0 / 3.4 / 4.3	120	16
CMDA44CB15D13L	Blue	6 / 11			455 / 460 / 475	3.0 / 3.4 / 4.3	130	16
CMDA44AG15D13L	Green	24 / 48			520 / 527 / 535	3.0 / 3.4 / 4.3	130	16
CMDA44AR15D13L	Red	24 / 30			620 / 625 / 630	2.0 / 2.5 / 3.0	128	19
CMDA44GB15D13L	Cyan	24 / 40			500 / 505 / 510	3.0 / 3.4 / 4.3	130	16
CMDA44DY15D13L	Amber	24 / 38			585 / 590 / 595	2.0 / 2.5 / 3.0	128	19

6. Absolute Maximum Ratings (at TA=25°C)

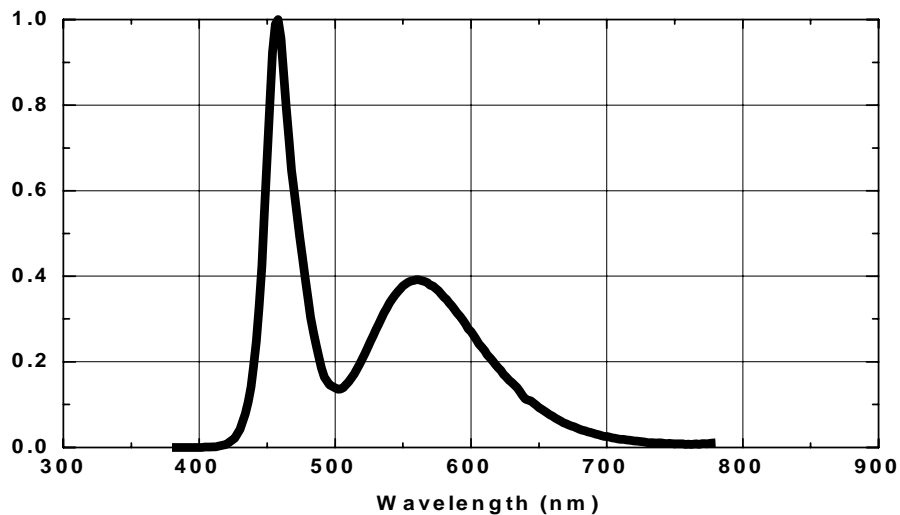
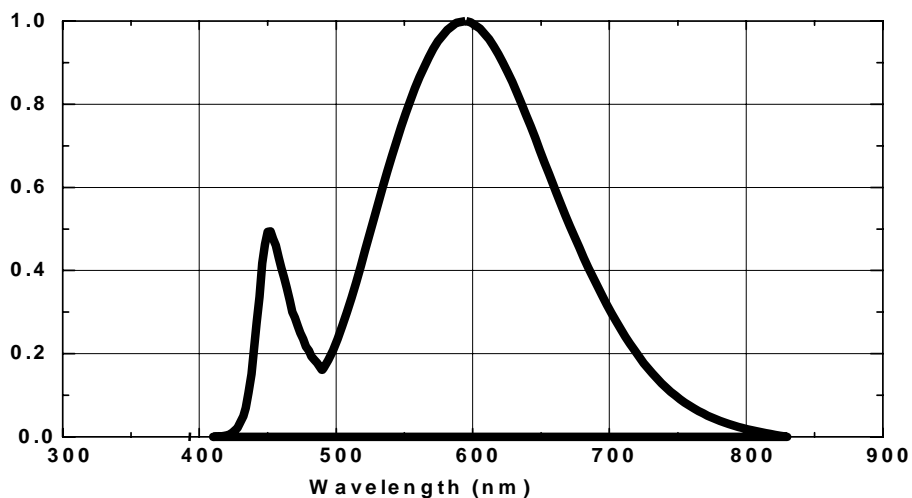
P/N	Description	Forward Current (A)	Power Dissipation (Watts)	Junction Temperature (°C)	Operating Temperature (°C)	Storage Temperature (°C)
	Symbol	IF	PD	Tj	Topr	Tstg
CMDA44CW15D13L	Pure White	0.4	1.6	125	-30~+85	-40~+120
CMDA44WW15D13L	Warm White	0.4	1.6	125	-30~+85	-40~+120
CMDA44CB15D13L	Blue	0.4	1.6	125	-30~+85	-40~+120
CMDA44AG15D13L	Green	0.4	1.6	125	-30~+85	-40~+120
CMDA44AR15D13L	Red	0.4	1.2	100	-30~+85	-40~+120
CMDA44GB15D13L	Cyan	0.4	1.6	125	-30~+85	-40~+120
CMDA44DY15D13L	Amber	0.4	1.2	100	-30~+85	-40~+120

***Notes:**

- [1] ΦV is the total luminous flux output as measured with an integrating sphere.
 [2] Zener diode chip included to protect the LED from ESD.
 [3] Rθ is measured with a metal core PCB (25 °C ≤ TJ ≤ 125 °C).
 [4] CML maintains a tolerance of ± 10% on flux and power measurements.
 [5] CCT ± 5% tester tolerance.
 [6] Color Coordinate Measurement allowance is ± 0.005
 [7] A tolerance of ± 0.006V on forward voltage measurements

-----Caution-----

Please do not drive at rated current more than 5 sec. without proper heat sink

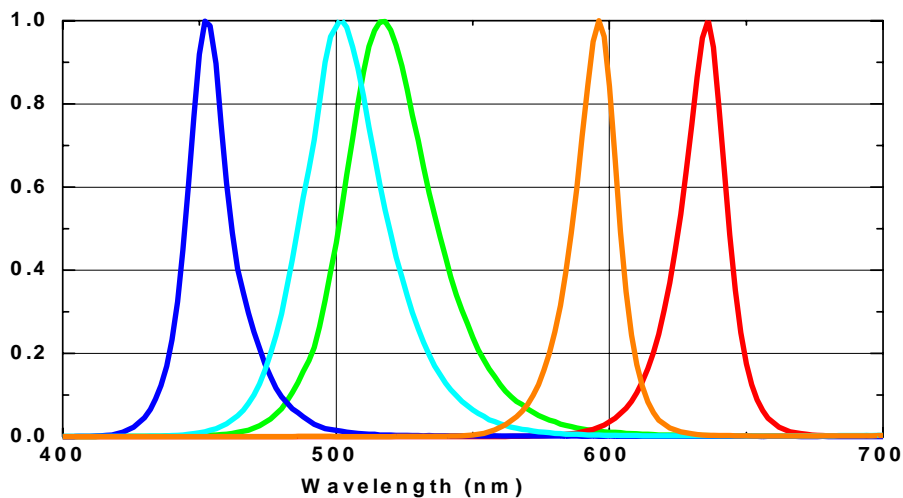
White color spectrum, $T_A=25^\circ\text{C}$ **1. Pure White****2. Warm White**

Americas
147 Central Avenue
Hackensack, NJ 07601
(201) 489-8989
www.cml-it.com

Europe
Robert Bunsen Str. 1
D-67098 Bad Dürkheim
+49 (6322) 9567-0
www.cml-it.com

www.DataSheet4U.com

3. Blue, Cyan, Green, Amber, Red

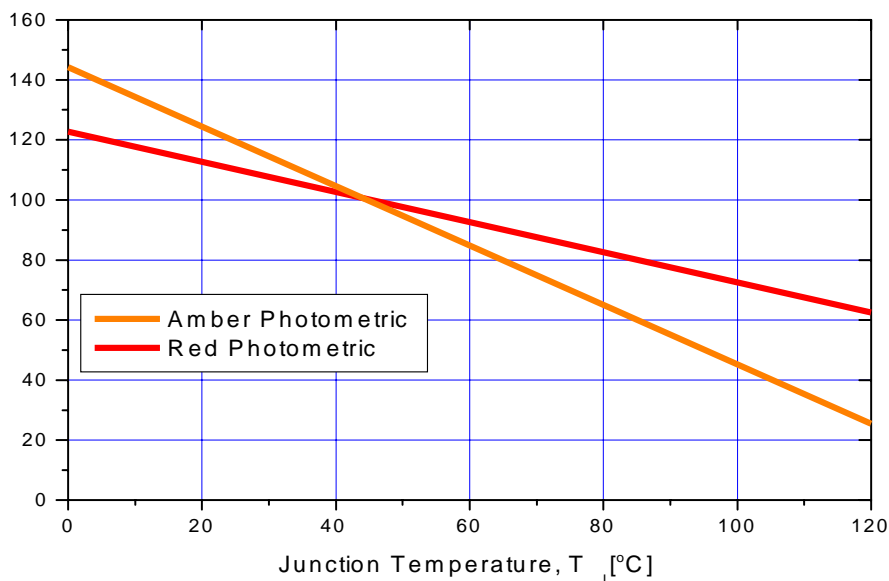
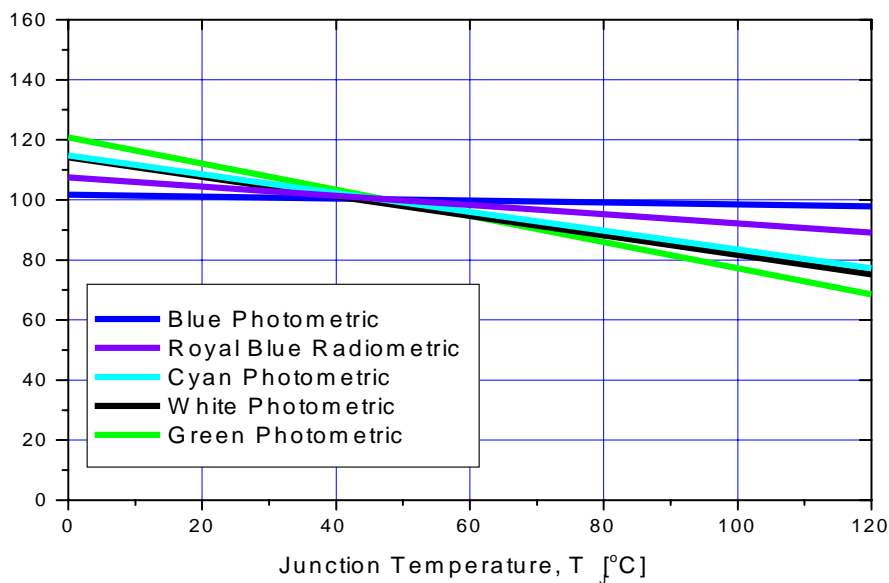


Americas
147 Central Avenue
Hackensack, NJ 07601
(201) 489-8989
www.cml-it.com

Europe
Robert Bunsen Str. 1
D-67098 Bad Durkheim
+49 (6322) 9567-0
www.cml-it.com

Light Output Characteristics

1. Relative Light Output vs. Junction Temperature at $I_F=350\text{mA}$, $T_A=25^\circ\text{C}$

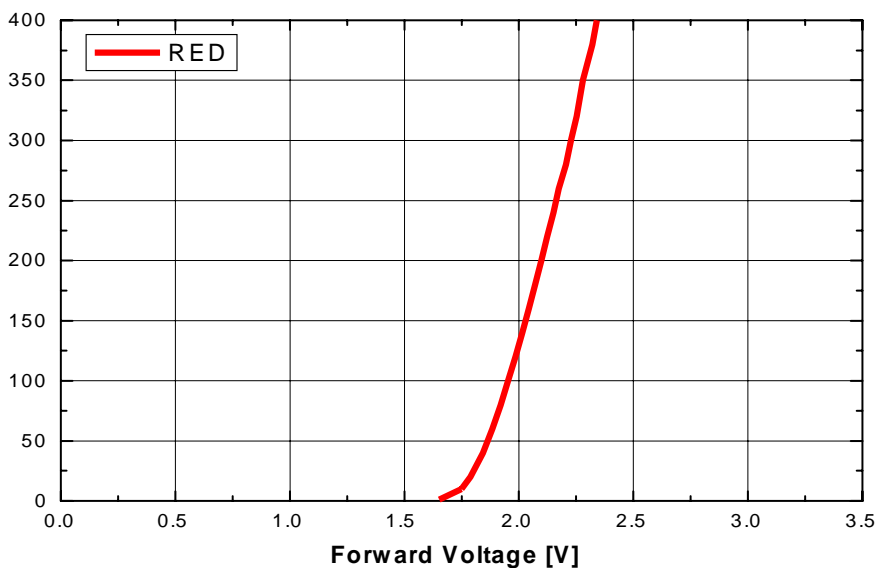
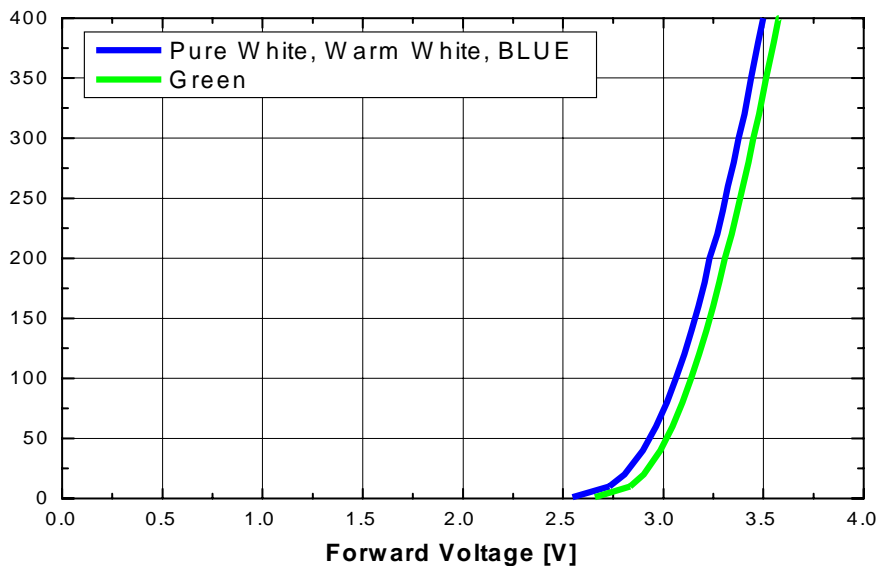


Americas
147 Central Avenue
Hackensack, NJ 07601
(201) 489-8989
www.cml-it.com

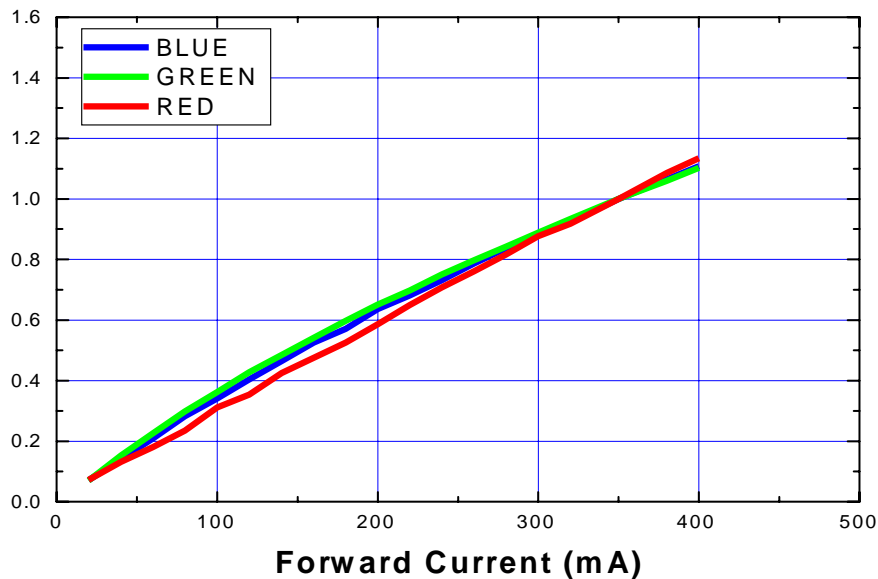
Europe
Robert Bunsen Str. 1
D-67098 Bad Dürkheim
+49 (6322) 9567-0
www.cml-it.com

Forward Current Characteristics

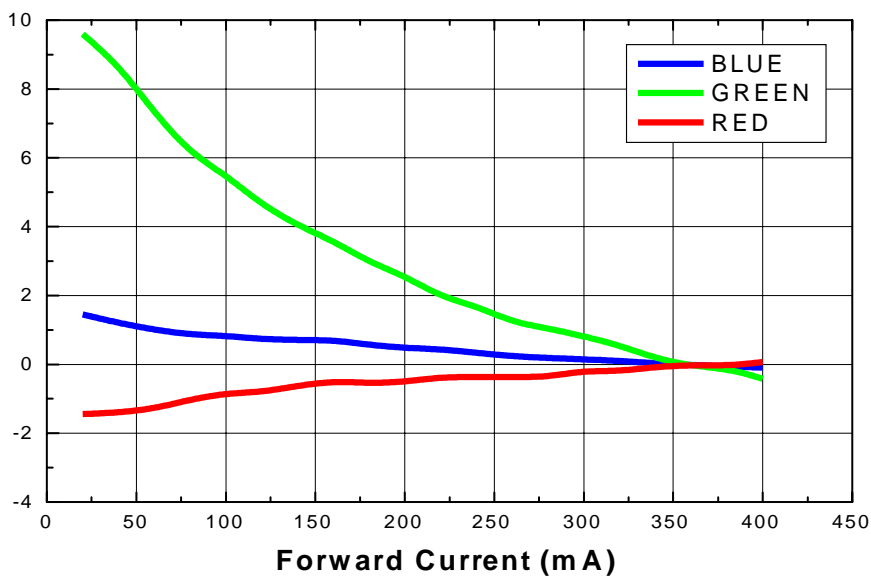
1. Forward Voltage vs. Forward Current, $T_A=25^\circ\text{C}$



2. Forward Current vs. Normalized Relative Luminous Flux, $T_A=25^\circ\text{C}$

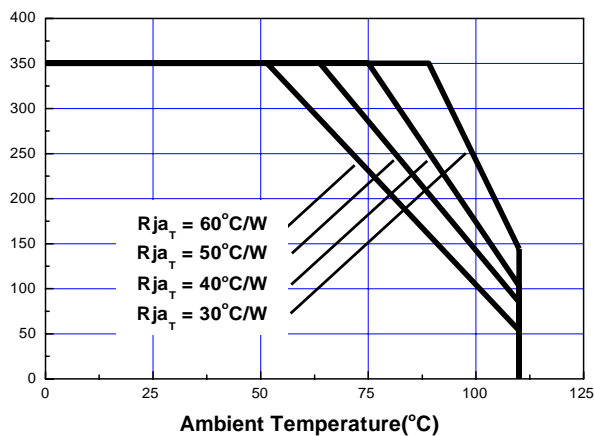


3. Forward Current vs. Wavelength shift, $T_A=25^\circ\text{C}$

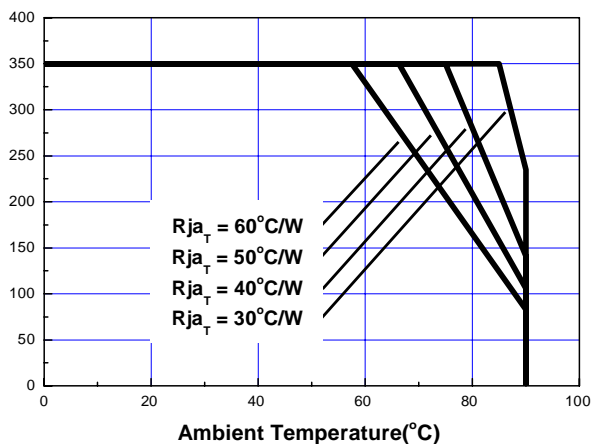


Ambient Temperature vs. Allowable Forward Current

1. Pure White, Warm White, Royal Blue, Blue, Cyan, Green ($T_{JMAX} = 125\text{ }^{\circ}\text{C}$)



2. Amber, Red ($T_{JMAX} = 100\text{ }^{\circ}\text{C}$)



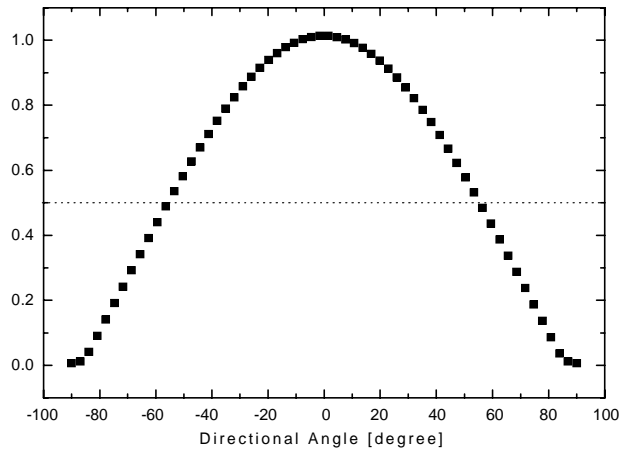
Americas
 147 Central Avenue
 Hackensack, NJ 07601
 (201) 489-8989
www.cml-it.com

Europe
 Robert Bunsen Str. 1
 D-67098 Bad Durkheim
 +49 (6322) 9567-0
www.cml-it.com

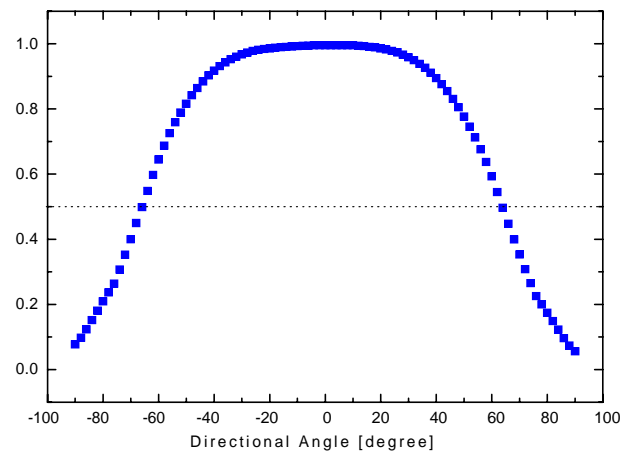
www.DataSheet4U.com

Typical Dome Type Radiation pattern

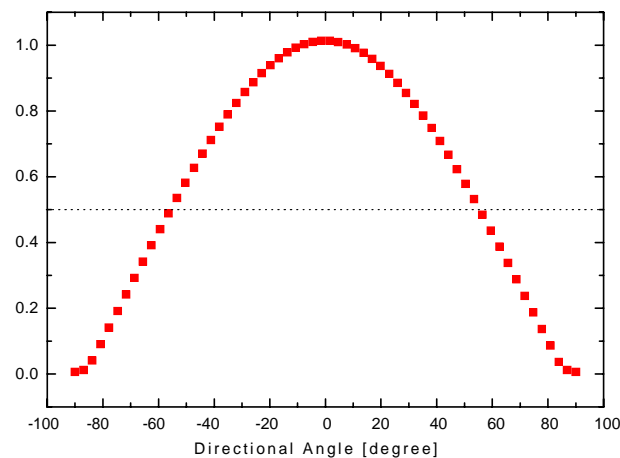
1. Pure White, Warm White



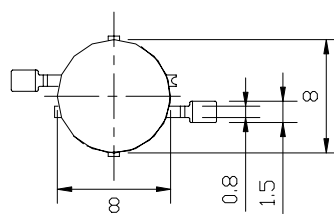
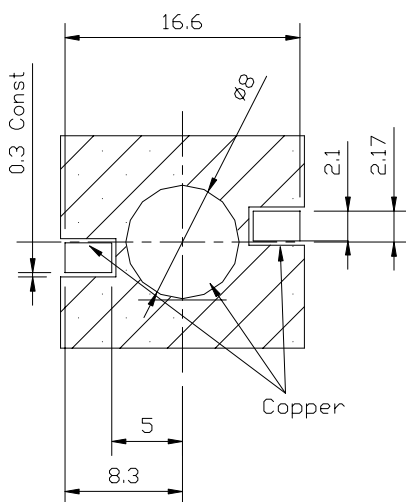
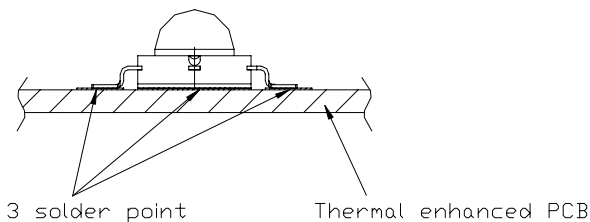
2. Royal Blue, Blue, Cyan, Green



3. Amber, Red



Recommended Solder pad



<Rear view>

<Footprint & Solder pad>

Note :

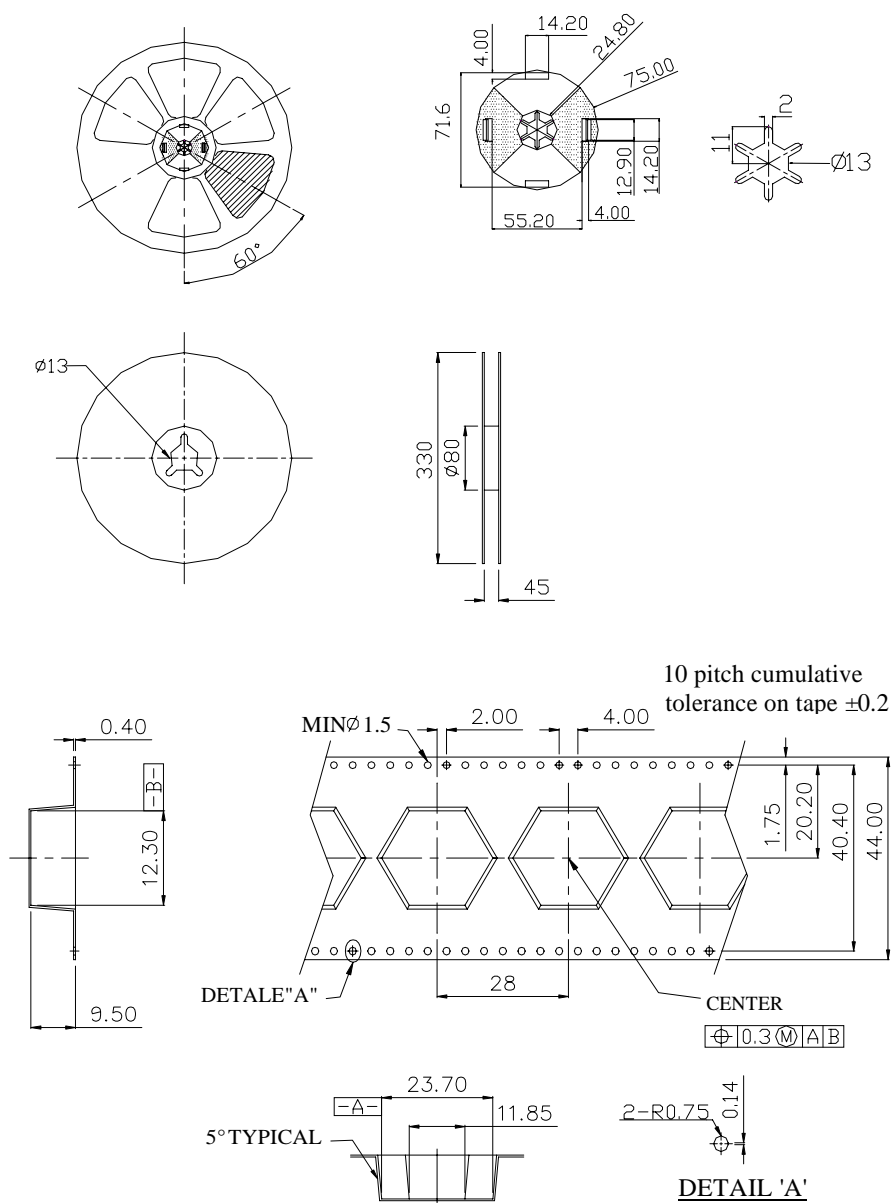
1. All dimensions are in millimeters
2. Scale none
3. This drawing without tolerances are for reference only



Americas
147 Central Avenue
Hackensack, NJ 07601
(201) 489-8989
www.cml-it.com

Europe
Robert Bunsen Str. 1
D-67098 Bad Durkheim
+49 (6322) 9567-0
www.cml-it.com

Metal PCB Type Reel Packaging - Star type



Note :

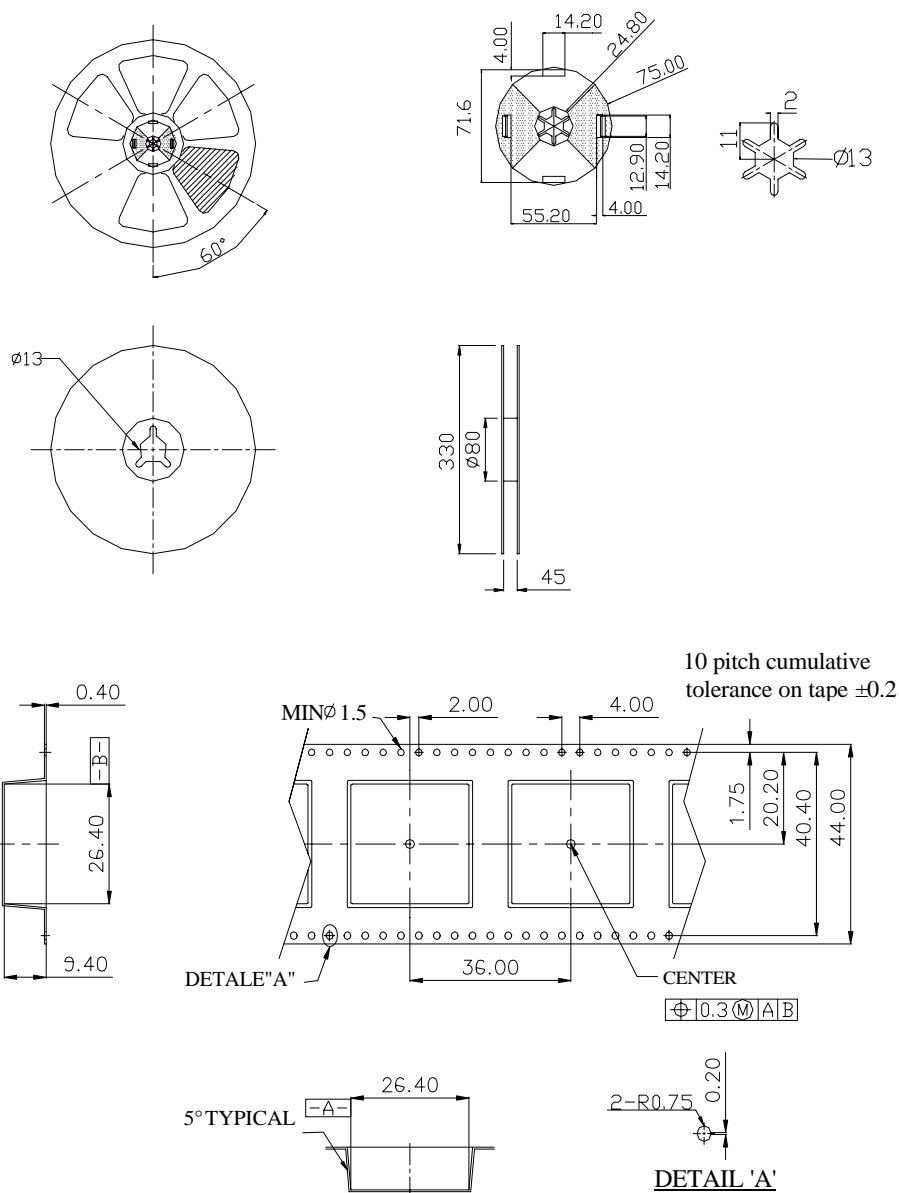
1. The number of loaded products in the reel is 350ea
2. All dimensions are in millimeters
3. Scale none
4. This drawing without tolerances are for reference only



Americas
 147 Central Avenue
 Hackensack, NJ 07601
 (201) 489-8989
www.cml-it.com

Europe
 Robert Bunsen Str. 1
 D-67098 Bad Dürkheim
 +49 (6322) 9567-0
www.cml-it.com

Metal PCB Type Reel Packaging - Square type



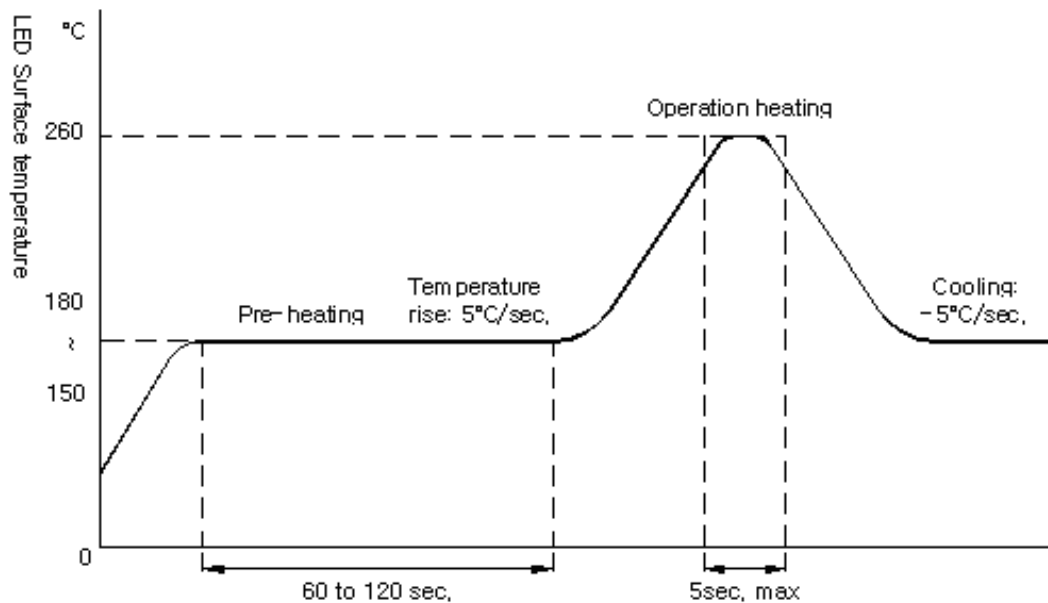
Note :

1. The number of loaded products in the reel is 200ea
2. All dimensions are in millimeters
3. Scale none
4. This drawing without tolerances are for reference only

Soldering profile, $T_A = 25^\circ\text{C}$

1. Reflow Soldering Conditions / Profile

Preliminary heating to be at 180°C max. for 2 minutes max. Soldering heat to be at 260°C max. for 5 seconds max.



2. Hand Soldering conditions

Lead : Not more than 3 seconds @MAX 280°C
 Slug : Use a thermal-adhesives

* Caution

No second soldering recommended



Americas
 147 Central Avenue
 Hackensack, NJ 07601
 (201) 489-8989
www.cml-it.com

Europe
 Robert Bunsen Str. 1
 D-67098 Bad Durkheim
 +49 (6322) 9567-0
www.cml-it.com